

CABINET DRYER

Repair Parts List

MODEL NUMBER
MCG8000AWW

When requesting service or ordering parts, always provide the following information:

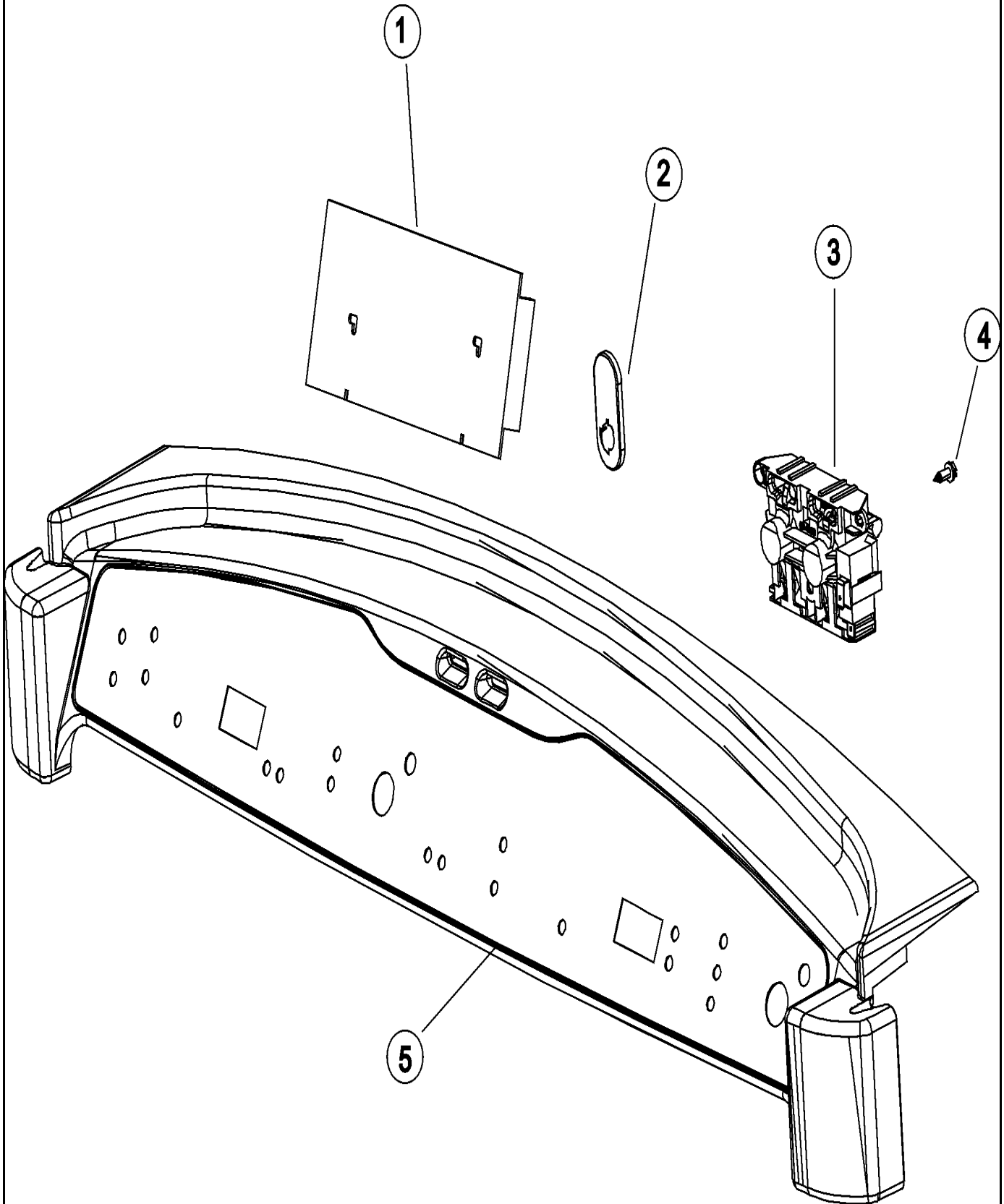
- Product Type
- Part Number
- Model Number
- Part Description

MAYTAG®

©2005 Maytag Services

Section: CONTROL PANEL

Model: MCG8000AWW



LD11-141

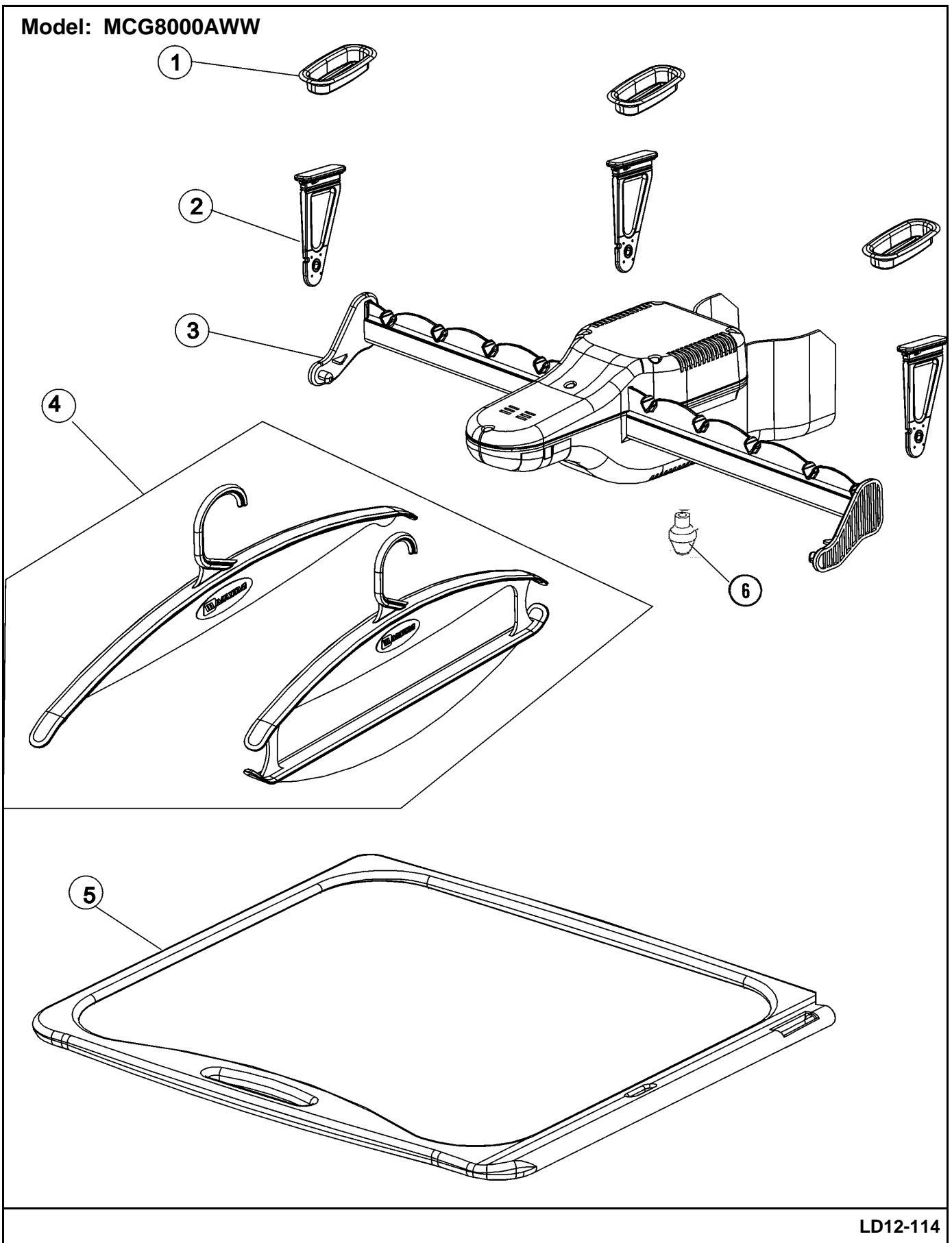
Section: CONTROL PANEL

No.	Part No.	Description	Series	Qty
1	31001562	LOGIC BOARD (CONTROL)	10	1
2	31001659	CLIP, RETAINING	10	1
3	31001565	DOOR LATCH ASSEMBLY (UPPER)	10	1
4	31001610	SCREW, #8 SHTMTL 1-1/4 TORX	10	4
5	31001658	CONSOLE W/MEMBRANE PAD (WHT)	10	1
-	31001662	HARNESS, UPPER DOOR SWITCH	10	1

*Color Code (-)=Not Shown #=Series, Serial Prefix or Run No., N=Not Available

Section: SHAKER, HANGERS & RACKS

Model: MCG8000AWW



LD12-114

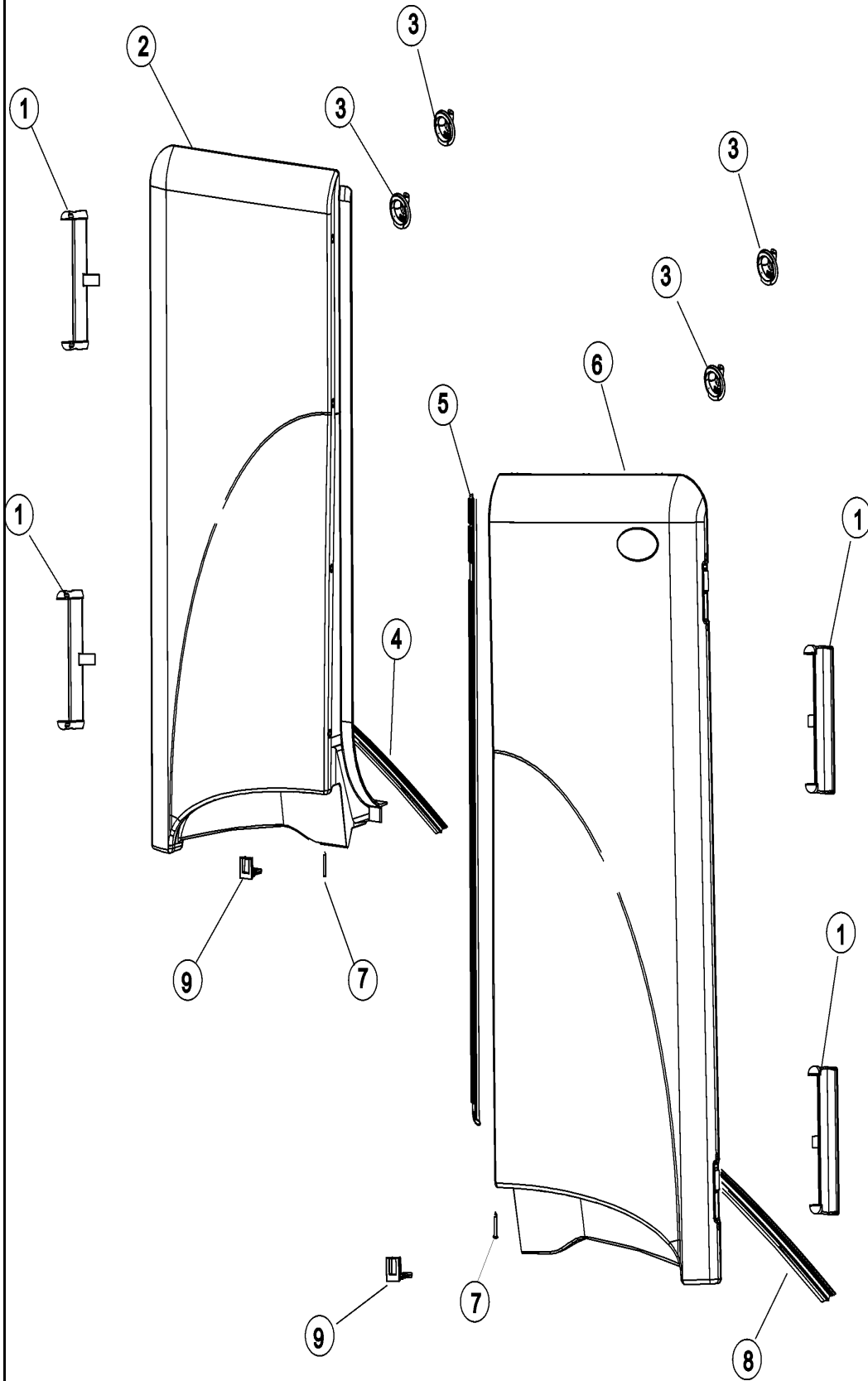
Section: SHAKER, HANGERS & RACKS

No.	Part No.	Description	Series	Qty
1	31001622	BOOT, SHAKER STRAP	10	3
2	31001621	STRAP, SHAKER SUPPORT	10	3
3	31001702	SHAKER ASSEMBLY	10	1
4	31001727	HANGER PACKAGE (2/SM, 1/LG)	10	1
5	31001679	SHELF ASSEMBLY	10	5
6	22002263	LAMP (10 WATT)	10	1

*Color Code (-)=Not Shown #=Series, Serial Prefix or Run No., N=Not Available

Section: UPPER DOOR

Model: MCG8000AWW



LD17-39

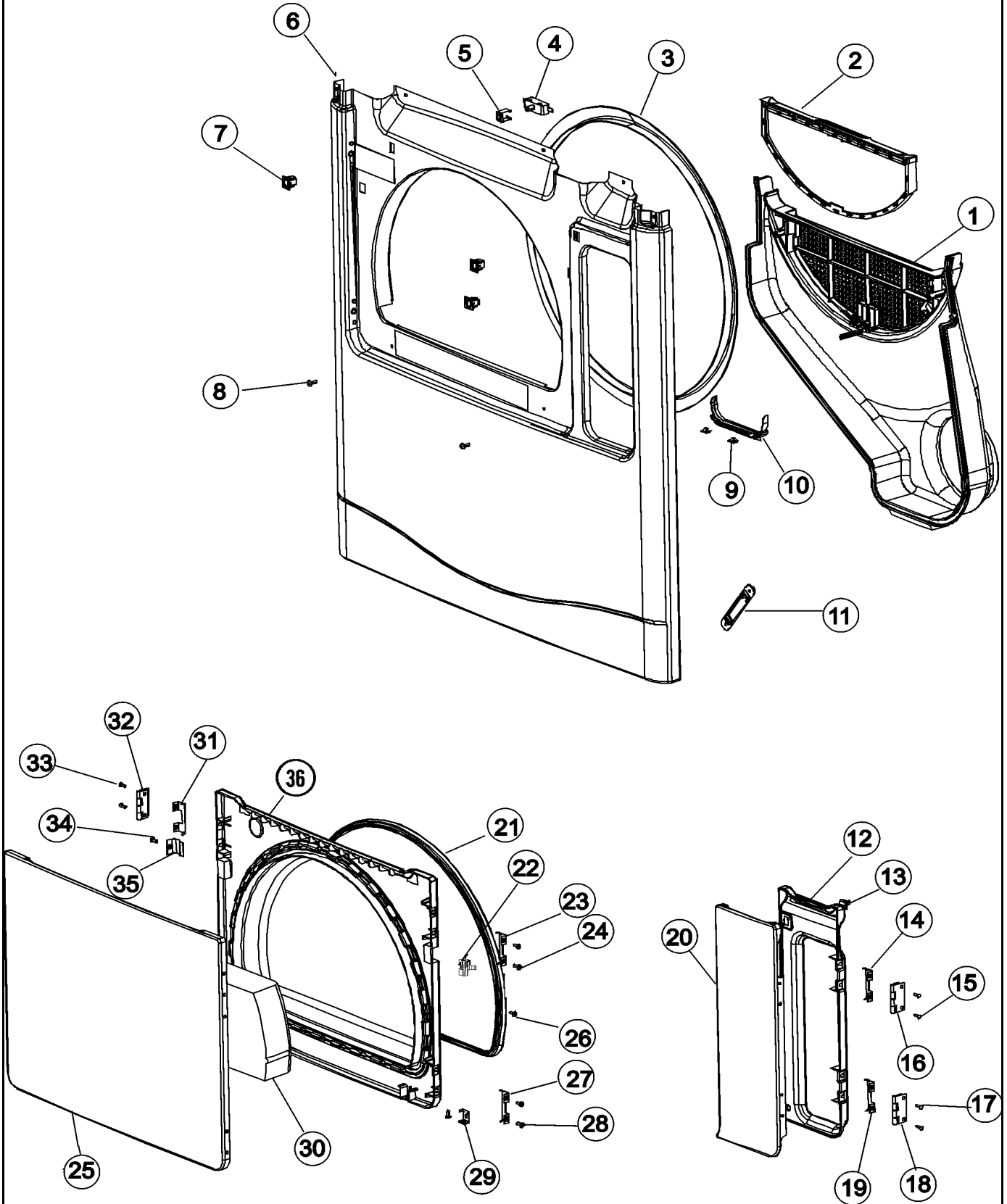
Section: UPPER DOOR

No.	Part No.	Description	Series	Qty
1	31001671	COVER, HINGE RETAINER (WHT)	10	4
2	31001667	UPPER DOOR ASM (LT-WHT)	10	1
3	31001670	HOOK, DOOR	10	4
4	31001765	SEAL, DOOR (LT)	10	1
5	31001677	SEAL, DOOR (RT DR SIDE)	10	1
6	31001674	UPPER DOOR ASM (RT-WHT)	10	1
7	25-3092	SCREW	10	2
8	31001764	SEAL, DOOR (RT)	10	1
9	31001673	STRIKER, LATCH	10	2

*Color Code (-)=Not Shown #=Series, Serial Prefix or Run No., N=Not Available

Section: FRONT PANEL & LOWER DOORS

Model: MCG8000AWW



LD17-38

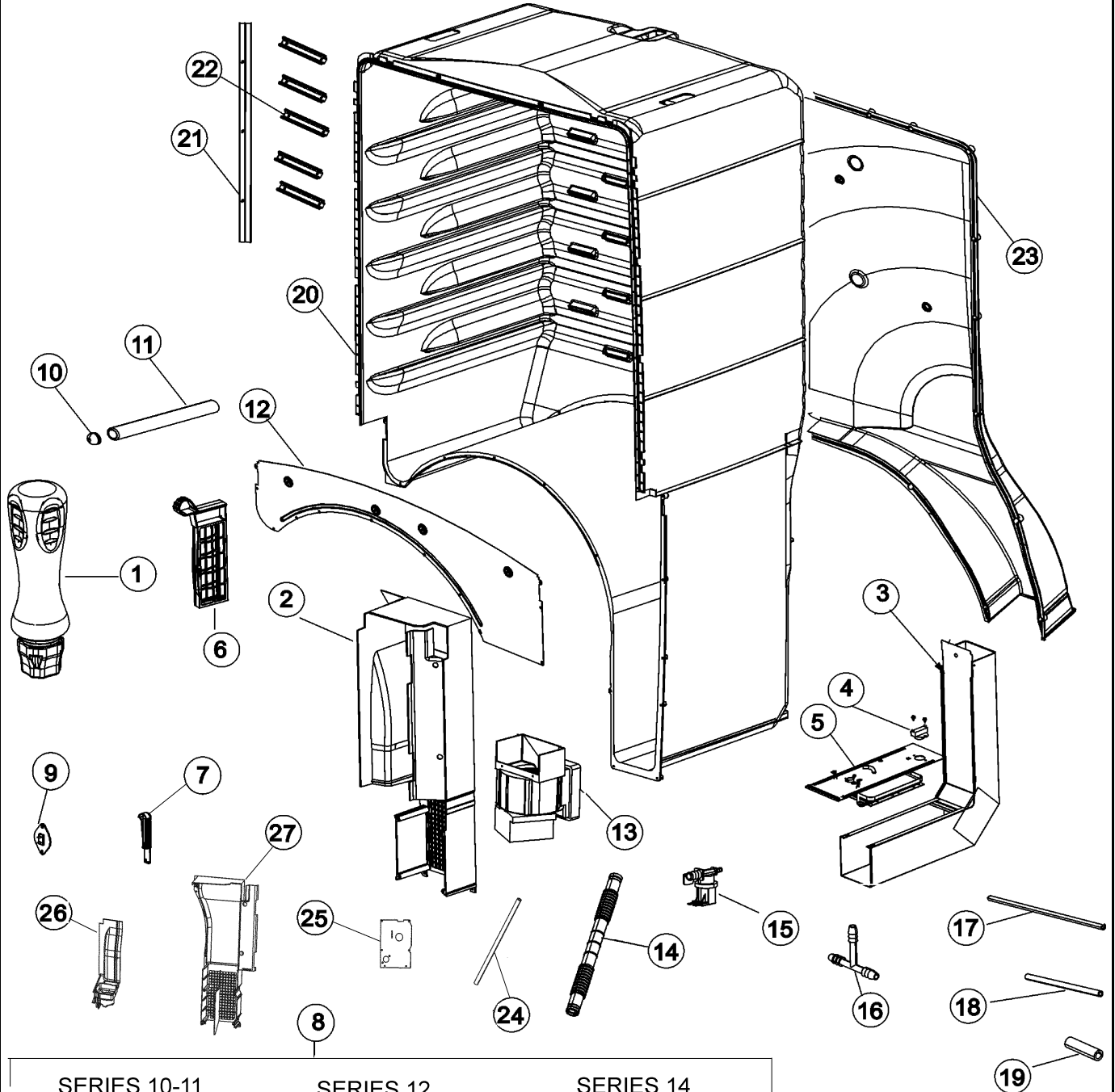
Section: FRONT PANEL & LOWER DOORS

No.	Part No.	Description	Series	Qty
-	53-0204	SEAL	10	1
1	31001635	DUCT, COLLECTOR	10	1
2	31001640	FILTER, LINT (GRAY)	10	1
3	31001637	SEAL ASSEMBLY, CYL FRONT	10	1
4	31001732	SWITCH, DOOR	10	1
5	31001733	CLIP, SWITCH	10	1
6	31001706	FRONT PANEL ASSEMBLY (WHT) Note: THIS ASSEMBLY INCLUDES ITEMS 1 AND 3 THRU 10	10	1
7	53-0187	CATCH, DOOR	10	3
8	25-7810	SCREW 8-18X1/2 TRUSS H	10	2
9 N	31001643	CLIP, TRIM	10	2
10	31001642	TRIM, RESERVOIR FLANGE	10	1
-	31001638	HARNESS, SENSOR BAR	10	1
11	33001809	SENSOR BAR ASSY.	10	1
12	31001654	DOOR, INNER RESERVOIR	10	1
13	31001657	BAYONET, RESERVOIR DOOR	10	1
14	22002038	CLIP, DOOR (DOUBLE)	10	1
15	31001703	SCREW, 8-18X1/2 TY AB ACR	10	2
16	31001653	HINGE, DOOR (LOWER)	10	1
17	31001703	SCREW, 8-18X1/2 TY AB ACR	10	2
18	31001653	HINGE, DOOR (LOWER)	10	1
19	22002038	CLIP, DOOR (DOUBLE)	10	1
20	31001656	DOOR, OUTER RESERVOIR (WHT)	10	1
21	31001652	SEAL, DOOR	10	1
22	31001646	STRIKE BRACKET ASSEMBLY	10	1
23	22002038	CLIP, DOOR (DOUBLE)	10	1
24	22002063	SCREW #8-18AB WAFER HD	10	2
25	31001650	PANEL, OUTER DOOR (WHT)	10	1
26	31001703	SCREW, 8-18X1/2 TY AB ACR	10	1
27	22002038	CLIP, DOOR (DOUBLE)	10	2
28	22002063	SCREW #8-18AB WAFER HD	10	2
29	22002039	CLIP, DOOR (SINGLE)	10	1
30	31001644	SPACER, DOOR BLOCK	10	1
31	22002038	CLIP, DOOR (DOUBLE)	10	1
32	31001653	HINGE, DOOR (LOWER)	10	2
-	31001641	COVER, HINGE (WHT-LOWER DR)	10	2
33	31001703	SCREW, 8-18X1/2 TY AB ACR	10	4
34	22002063	SCREW #8-18AB WAFER HD	10	1
35	31001648	PLUG	10	1
36	31001645	INNER DOOR, LOWER	10	1

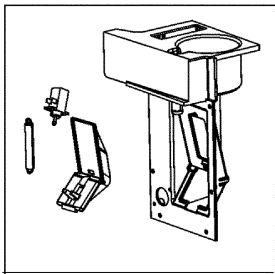
*Color Code (-)=Not Shown #=Series, Serial Prefix or Run No., N=Not Available

Section: LINER, STEAMER & RESERVOIR

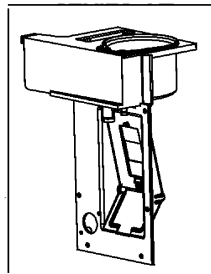
Model: MCG8000AWW



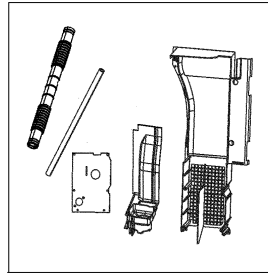
SERIES 10-11



SERIES 12



SERIES 14



Section: LINER, STEAMER & RESERVOIR

No.	Part No.	Description	Series	Qty
1	31001684	BOTTLE, RESERVOIR WATER	10	1
2	N 31001623	AIR DUCT, RETURN	10	1
3	31001604	HOT AIR DUCT ASSEMBLY	10	1
-	31001721	SCREW, AB#8-18X3/8 HXWS	10	2
4	31001630	THERMOSTAT, STEAMER	10	1
-	31001628	WIRE, HEATER JUMPER	10	1
-	31001664	HARNESS, UPPER HEATER/STEAMER	10	1
5	31001666	HEATER/STEAMER	10	1
-	31001761	HARNESS, UPPER HEATER/STEAMER	12	1
6	31001681	FILTER FRAME ASSEMBLY	10	1
7	31001687	VENT, RESERVOIR FILTER	10	1
8	31001760	COVER, RETURN DUCT	12	1
8	12002648	RETURN DUCT/COVER KIT	14	1
8	12002336	RETURN DUCT/DAMPER KIT	10	1
-	31001600	SCREW, #6 TRI-LOBE 3/8 TORX	10	2
9	31001716	THERMISTOR, TEMP CONTROL	10	1
10	31001603	CAP, SHELF SUPPORT	10	5
11	31001602	ROD, SHELF SUPPORT	10	5
12	31001596	TOP, FRONT LINER COVER	10	1
-	31001705	SCREW, #8-18X1/2 TH RL	10	6
13	31001627	BLOWER ASSEMBLY	10	1
-	31001722	SCREW, #8-18X3/4 TF	10	2
14	31001631	HOSE, RESERVOIR VALVE	10	1
15	31001563	VALVE, WATER	10	1
16	31001720	T-CONNECTOR	10	1
17	31001717	HOSE (12")	10	1
18	31001718	HOSE (8.5")	10	1
19	31001719	HOSE (1.5")	10	1
20	N 31001595	LINER	10	1
21	31001609	TIE BAR, SHELF	10	1
-	31001705	SCREW, #8-18X1/2 TH RL	10	10
22	31001607	BRACKET, SHELF	10	5
23	31001606	PLENUM	10	1
-	31001600	SCREW, #6 TRI-LOBE 3/8 TORX	10	17
24	31001632	HOSE, VALVE STEAMER	14	1
25	31001789	PLATE-RETURN DUCT COVER	14	1
26	31001787	DUCT-AIR RETURN	14	1
27	31001788	CUP-RETURN DUCT	14	1

*Color Code (-)=Not Shown #=Series, Serial Prefix or Run No., N=Not Available

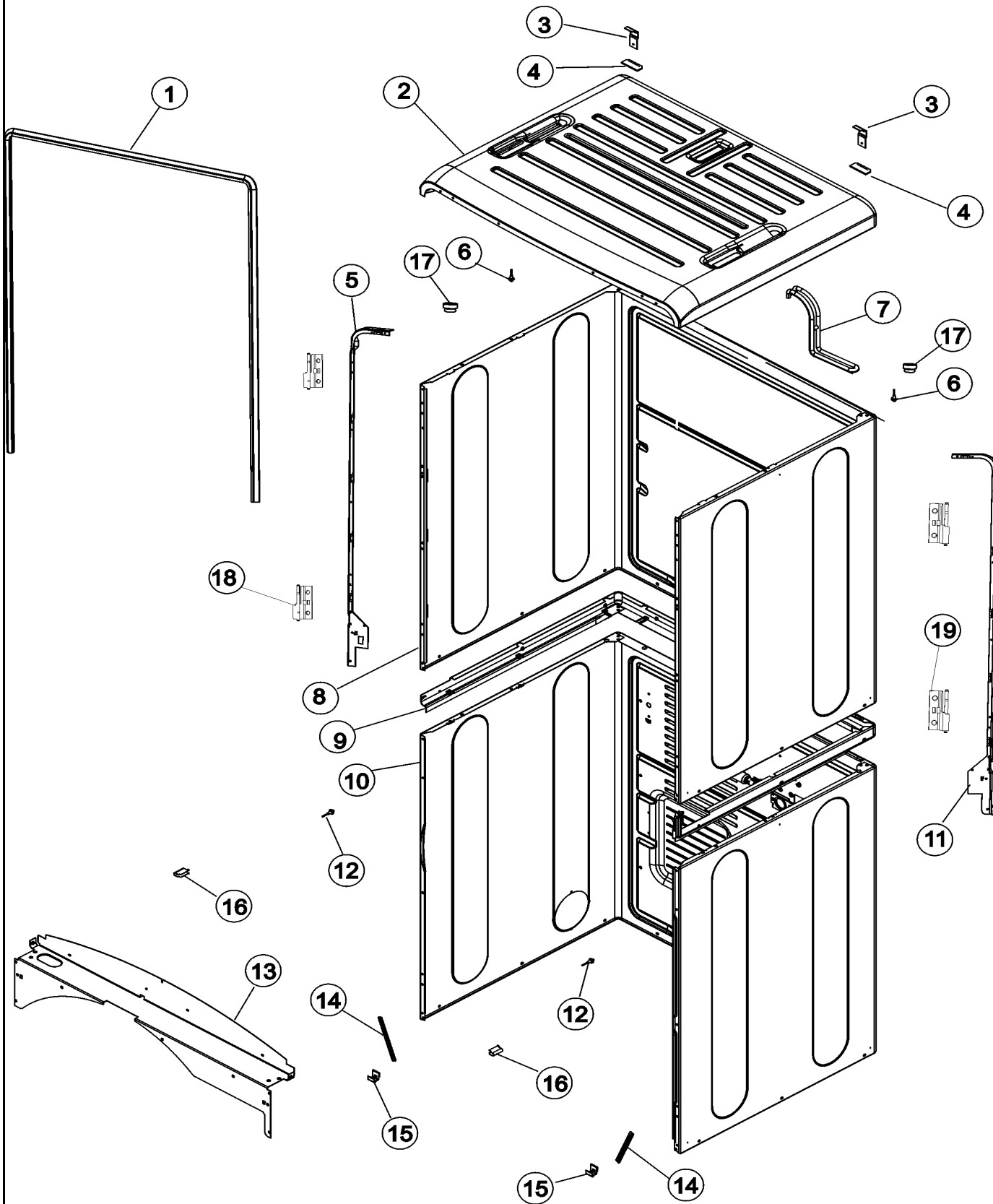
Section: BASE, MOTOR & BLOWER

No.	Part No.	Description	Series	Qty
1	31001572	CLIP, VENT PIPE GROUND	10	1
2	53-0134	DUCT, EXHAUST	10	1
3	31001589	MOTOR (115V-60HZ 1/3HP)	10	1
4	31001535	PULLEY, MOTOR (60HZ)	10	1
5	53-1801	HOUSING, BLOWER	10	1
6	31001470	GLIDE, TUMBLER (LT)	10	1
7	31001356	PAD, GLIDE	10	1
8	31001469	GLIDE, TUMBLER (RT)	10	1
9	31001356	PAD, GLIDE	10	1
10	31001267	SCREW	10	8
11	25-7890	SCREW	10	1
12	53-1026	GUIDE, VANE INLET	10	1
13	31001590	THERMISTOR, TEMP CONTROL	10	1
14	25-7855	RING, RETAINING	10	1
15	25-7823	CLAMP	10	1
16	31001541	SEAL, BLOWER/COLLECTOR DUCT	10	1
17	53-1625	BRACE, TUMBLER SUPPORT	10	1
18	53-1934	COVER, BLOWER HOUSING	10	1
19	31001317	WHEEL, BLOWER (DEEPP)	10	1
20	31001465	SPRING, IDLER	10	1
-	31001571	SCREW, 10-24X0700 HXWSHRHD TY	10	1
21	31001710	IDLER ARM ASSEMBLY	10	1
-	25-7890	SCREW	10	1
22	31001561	RELAY BOARD ASSEMBLY	10	1
-	31001569	WASHER, 1/2"	10	4
23	31001586	BASE ASSEMBLY	10	1
24	31001570	BRACKET, MOTOR	10	1
-	25-7732	SCREW	10	1
25	35-3507	FOOT & PAD ASSY	10	4
26	53-0120	CLIP, FRONT PANEL	10	2
27	53-0214	CLAMP, MOTOR	10	1
28	LA-1006	GLIDE KIT, TUMBLER	10	1

*Color Code (-)=Not Shown #=Series, Serial Prefix or Run No., N=Not Available

Section: CABINET, UPPER & LOWER

Model: MCG8000AWW



LD12-112

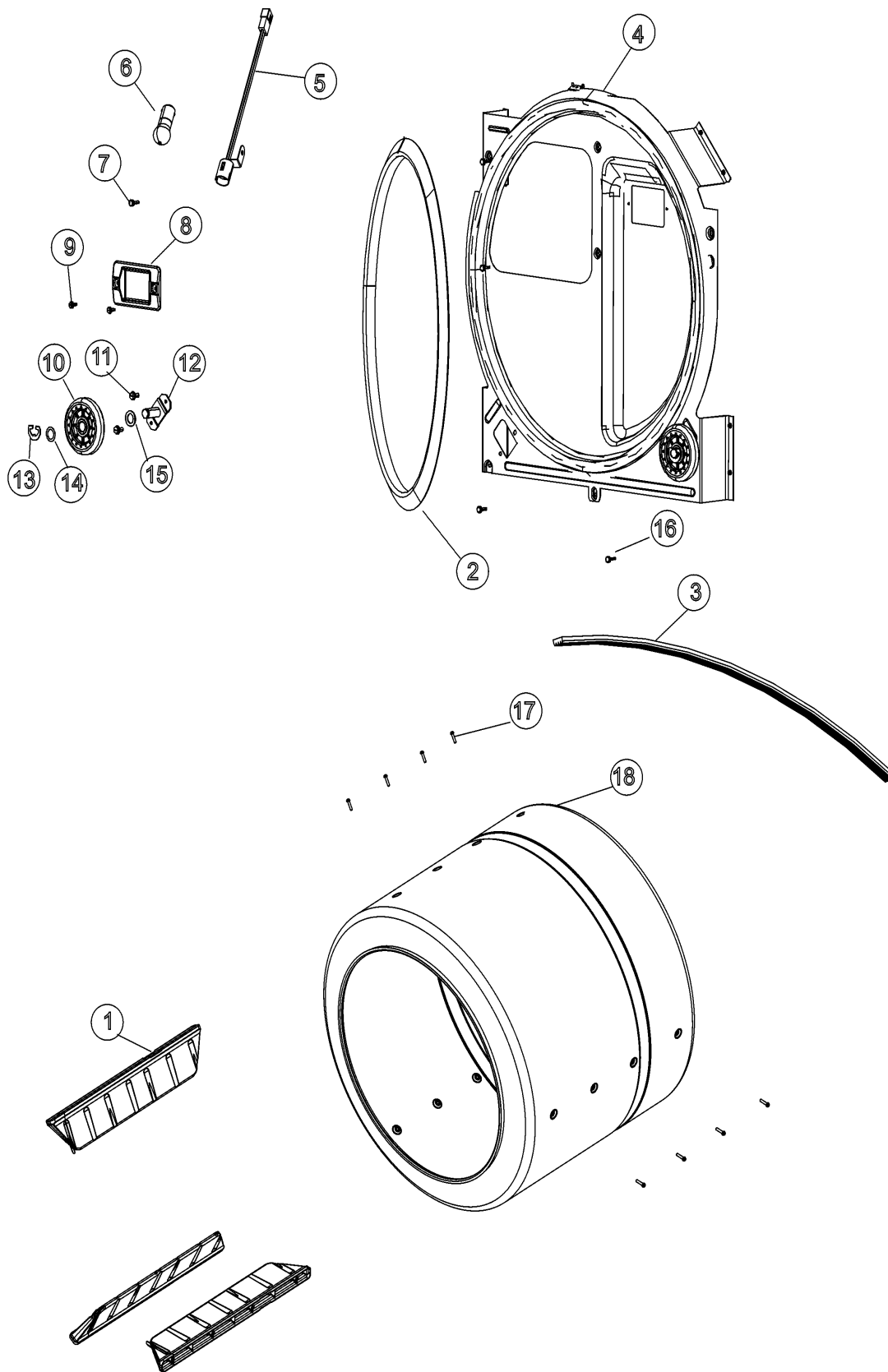
Section: CABINET, UPPER & LOWER

No.	Part No.	Description	Series	Qty
1	31001618	SEAL, DOOR PERIMETER	10	1
2	31001619	COVER, TOP (WHT)	10	1
3	63-5712	HINGE, CABINET TOP	10	2
4	35-4128	PAD, HINGE	10	2
-	25-2134	SCREW	10	4
5	31001612	SUPPORT, CABINET (LT)	10	1
6	21001829	POST, LOCATING	10	2
7	31001680	HANGER, EXTERNAL RACK	10	1
8	N 31001614	CABINET, UPPER (WHT)	10	1
9	31001594	BAND, BELLY	10	1
-	25-7890	SCREW	10	8
10	31001573	CABINET, LOWER (WHT)	10	1
-	31001592	CORD & CAP ASSEMBLY (20 AMP)	10	1
-	33-2653	BUMPER, CABINET	10	2
-	31001723	COVER, POWER CORD	10	1
-	25-2134	SCREW	10	4
11	31001613	SUPPORT, CABINET (RT)	10	1
12	21001829	POST, LOCATING	10	2
13	31001608	FRONT, BELLY BAND	10	1
-	25-7752	SCREW, 8-18X3/8 TYAB BUT	10	4
14	31001576	BRACE, CORNER	10	2
15	53-0120	CLIP, FRONT PANEL	10	2
16	31001611	SPACER, FRONT PANEL	10	2
17	33-2653	BUMPER, CABINET	10	2
18	31001617	HINGE CABINET LEAF ASM (LT)	10	2
19	31001616	HINGE CABINET LEAF ASM (RT)	10	2

*Color Code (-)=Not Shown #=Series, Serial Prefix or Run No., N=Not Available

Section: CYLINDER & REAR BULKHEAD

Model: MCG8000AWW



LD13-59

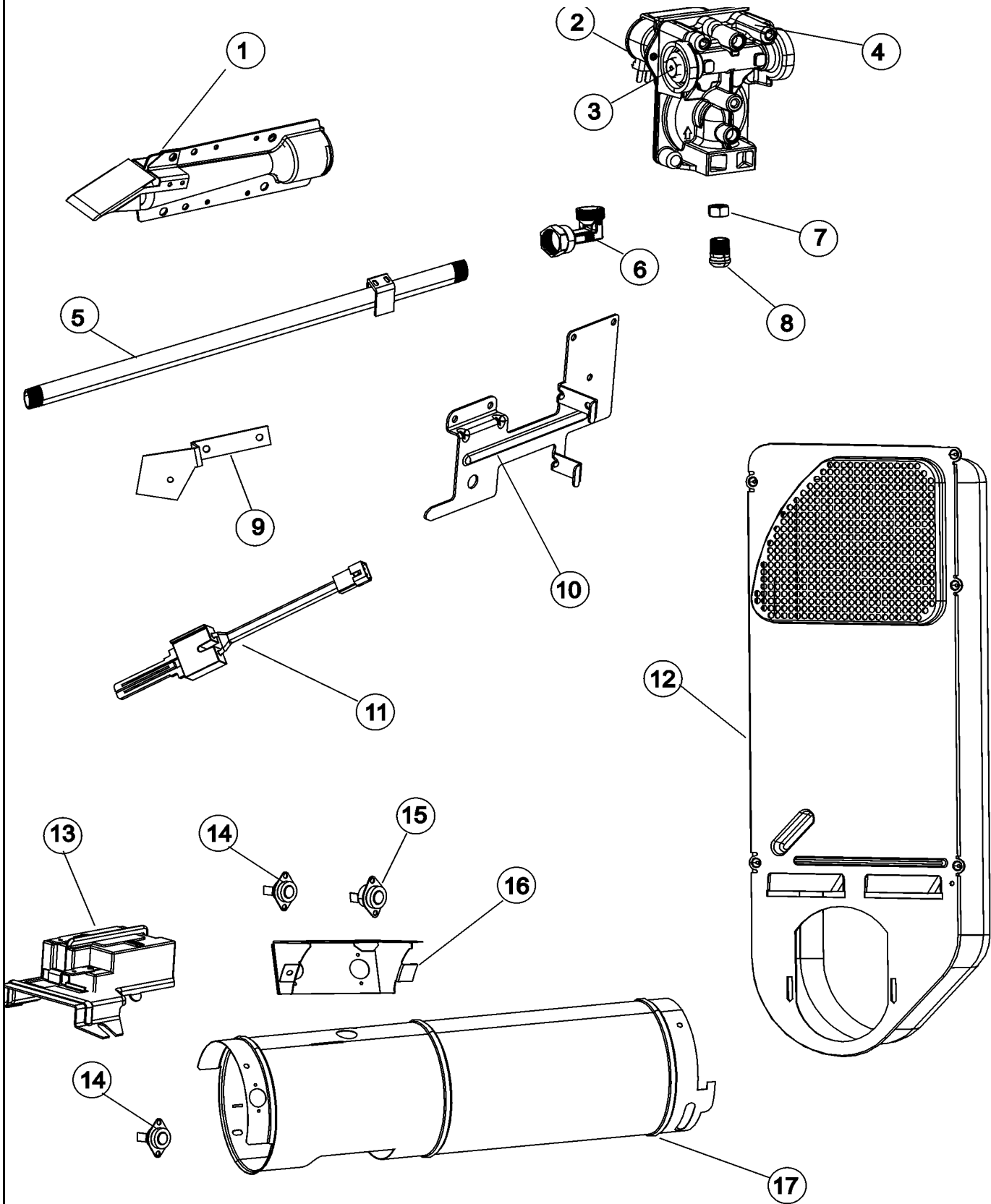
Section: CYLINDER & REAR BULKHEAD

No.	Part No.	Description	Series	Qty
1	53-1249	BAFFLE, WHITE	10	3
2	31001548	SEAL ASSEMBLY (REAR)	10	1
3	31531589	BELT, CYLINDER	10	1
4	31001581	BULKHEAD WITH SEAL	10	1
5	31001579	RECEPTACLE ASM, CLYINDER LIGHT	10	1
6	31001575	BULB, CYLINDER LIGHT	10	1
7	25-3457	SCREW, SEMS	10	1
8	31001585	LENS, CYLINDER LIGHT	10	1
9	31001580	SCREW, 6-32 HEX WASHER HEAD	10	2
10	31001096	ROLLER (REAR)	10	2
11	25-7101	SCREW	10	4
12	53-0197	SUPPORT ASSY.-CYLINDER REAR	10	2
13	25-7854	RING, RETAINING	10	2
14	25-7814	WASHER	10	2
15	31001583	SPACER, ROLLER	10	2
16	25-7819	SCREW #8-18X1/2 PAN HD	10	5
17	N 25-7759	SCREW	10	12
18	53-1250	CYLINDER (W/BAFFLE)	10	1

*Color Code (-)=Not Shown #=Series, Serial Prefix or Run No., N=Not Available

Section: GAS CARRYING PARTS (SERIES 11)

Model: MCG8000AWW



Section: GAS CARRYING PARTS (SERIES 11)

No.	Part No.	Description	Series	Qty
1	31001708	BURNER & SPREADER ASSM	11	1
2	12001349	COIL KIT, GAS DRYER VALVE (2)	11	1
3	63-3570	BURNER ORIFICE	11	1
4	31001485	VALVE, GAS (WITH ORIFICE)	11	1
-	25-3092	SCREW	11	3
5	31001367	MAIN GAS LINE ASSY.	11	1
6	31001366	ELBOW	11	1
7	60-6846	UNION NUT	11	1
8	N 31001368	TAIL PIECE	11	1
9	53-0686	BRACKET	11	1
10	53-0140	MTG BRACKET	11	1
11	31001556	IGNITER	11	1
12	31001724	INLET AIR DUCT ASSEMBLY	11	1
13	63-5013	SENSOR	11	1
14	53-1182	FUSE, THERMAL	11	1
15	53-1096	THERMOSTAT, HI-LIMIT	11	2
16	31001725	BRACKET, THERMOSTAT MTG	11	1
-	N 53-2363	SUPPORT, HEATER HOUSING	11	1
17	31001726	HOUSING, HEATER	11	1
-	63-6766	CONVERSION KIT (NAT-LP)	11	1
-	12001031	CONVERSION KIT (LP-NAT)	11	1

*Color Code (-)=Not Shown #=Series, Serial Prefix or Run No., N=Not Available

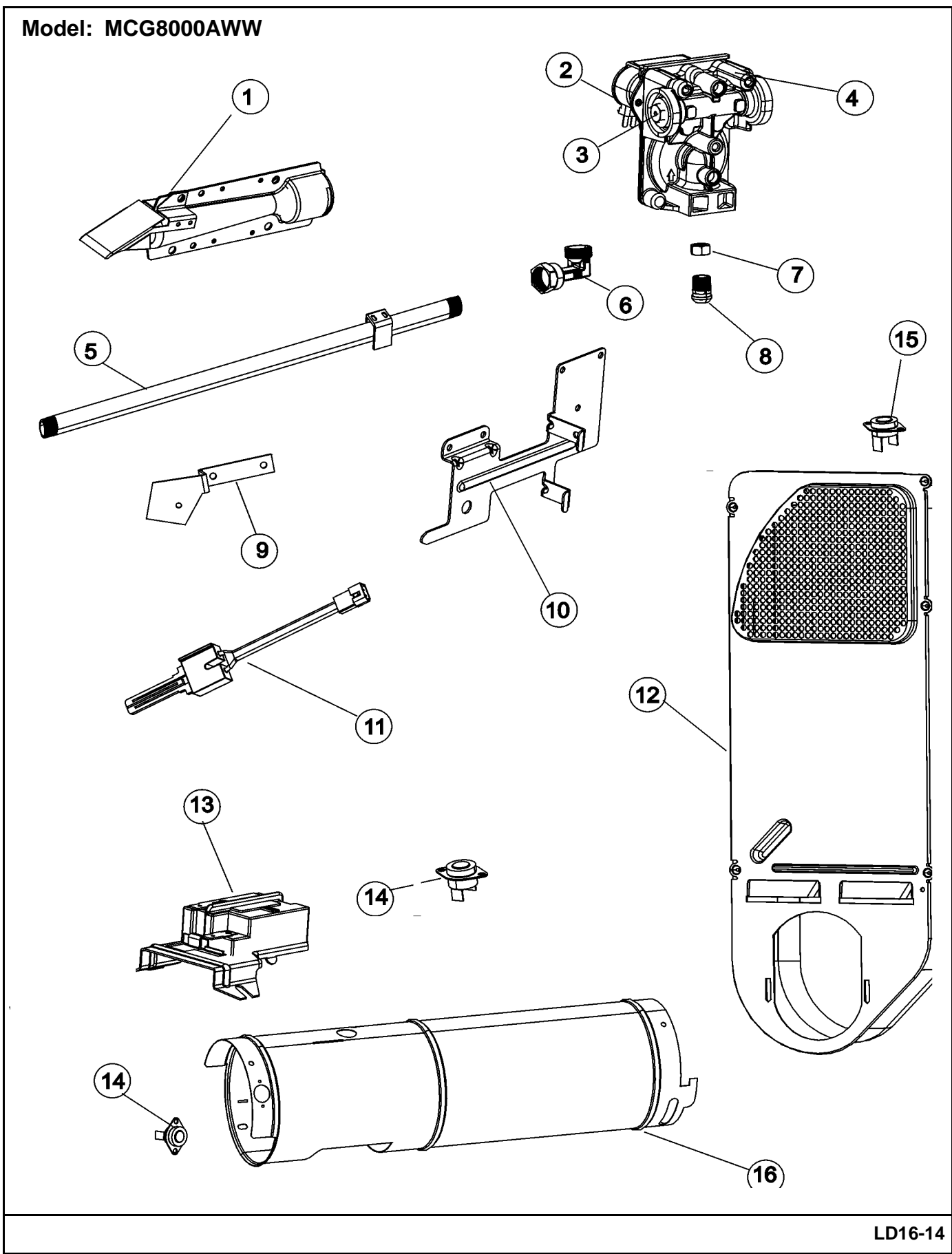
Section: SUPPLEMENTAL INFORMATION

No.	Part No.	Description	Series	Qty
1	53-4603	GUIDE, TROUBLE SHOOTING	12	1
1	53-4537	GUIDE, TROUBLE SHOOTING	10	1
1	16022785	SVC MAN, DOM DRYING CENTR G/E	10	1
1	53-4240	GUIDE, USER DVD	10	1
1	53-4241	MANUAL, USE & CARE	10	1
1	2206670	MANUAL, USE & CARE NEPTUNE DC	25	1
2	31001591	HARNESS, MAIN WIRE (GAS)	10	1
2	N 21001214	PANEL, CONTROL	10	1
2	25-7430	CLIP, WIRING HARNESS	10	2
2	31001320	CLIP, WIRING HARNESS	10	7
2	N 31001766	WIREWAY, HARNESS	10	1
2	31001761	HARNESS, UPPER HEATER/STEAMER	12	1
2	31001664	HARNESS, UPPER HEATER/STEAMER	10	1
3	31001592	CORD & CAP ASSEMBLY (20 AMP)	10	1
4	12001031	CONVERSION KIT (LP-NAT)	10	1
4	63-6766	CONVERSION KIT (NAT-LP)	10	1
5	12001928	KIT, SIDE VENT	10	1

*Color Code (-)=Not Shown #=Series, Serial Prefix or Run No., N=Not Available

Section: GAS CARRYING PARTS (SERIES 10)

Model: MCG8000AWW



LD16-14

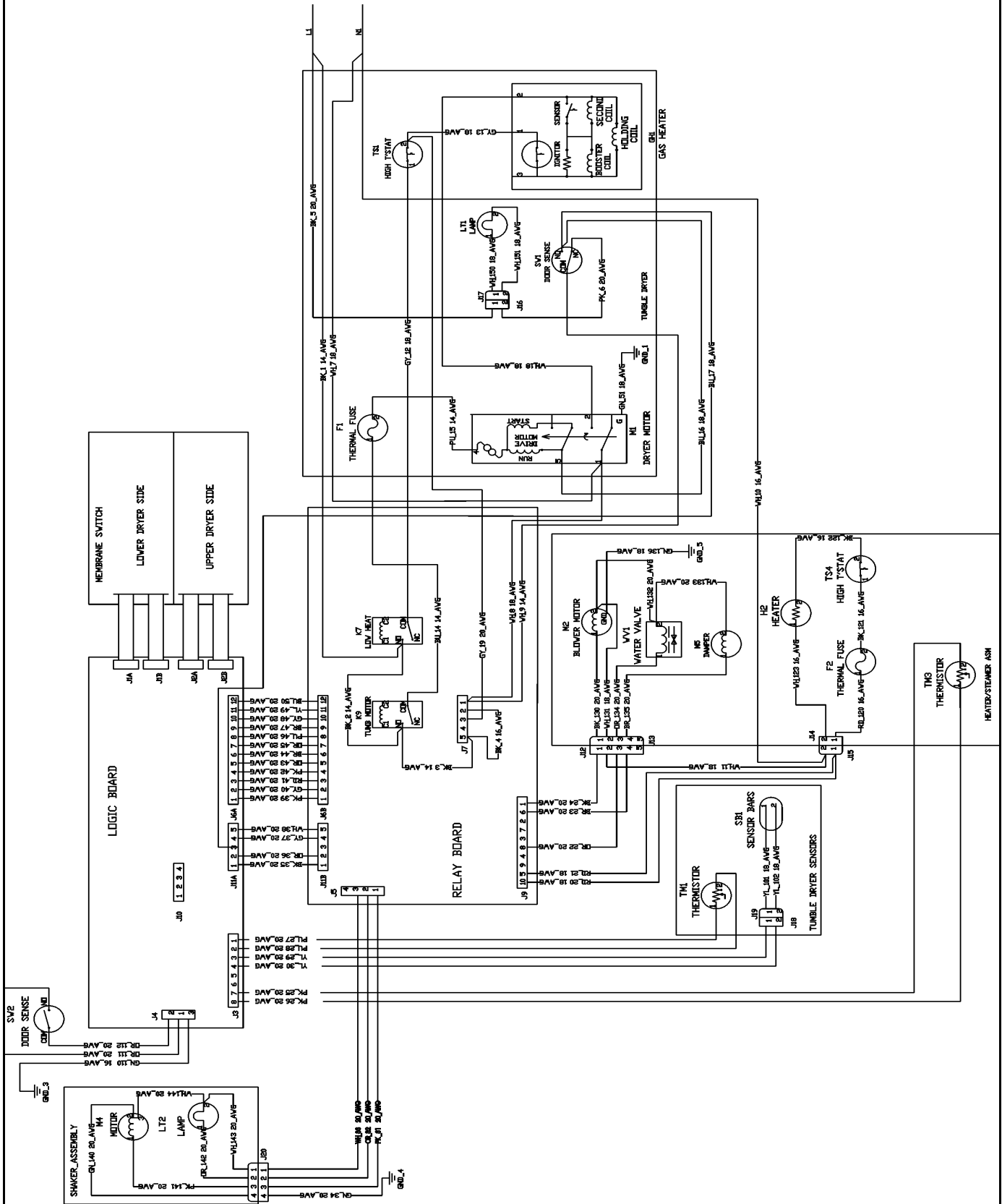
Section: GAS CARRYING PARTS (SERIES 10)

No.	Part No.	Description	Series	Qty
1	31001708	BURNER & SPREADER ASSM	10	1
2	12001349	COIL KIT, GAS DRYER VALVE (2)	10	2
3	63-3570	BURNER ORIFICE	10	1
4	31001485	VALVE, GAS (WITH ORIFICE)	10	1
-	25-3092	SCREW	10	3
5	31001367	MAIN GAS LINE ASSY.	10	1
6	31001366	ELBOW	10	1
7	60-6846	UNION NUT	10	1
8	N 31001368	TAIL PIECE	10	1
9	53-0686	BRACKET	10	1
10	53-0140	MTG BRACKET	10	1
11	31001556	IGNITER	10	1
12	53-1706	INLET AIR DUCT ASSY	10	1
-	31001730	HARNESS, GAS SENSOR	10	1
13	63-5013	SENSOR	10	1
14	53-1096	THERMOSTAT, HI-LIMIT	10	2
15	53-1182	FUSE, THERMAL	10	1
16	53-1884	HOUSING, HEATER	10	1
-	N 53-2363	SUPPORT, HEATER HOUSING	10	1
-	12001031	CONVERSION KIT (LP-NAT)	10	1
-	63-6766	CONVERSION KIT (NAT-LP)	10	1

*Color Code (-)=Not Shown #=Series, Serial Prefix or Run No., N=Not Available

Section: WIRING INFORMATION

Model: MCG8000AWW



15003315

